

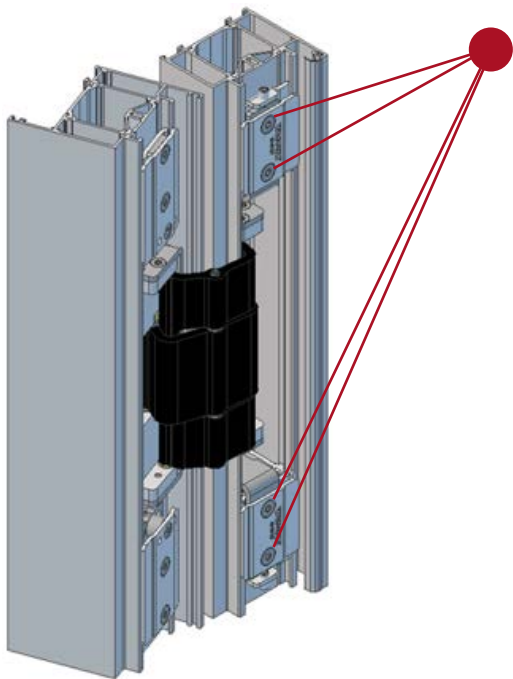


ES2460 Concealed Hinge Adjustment Instructions

Adjusting the height

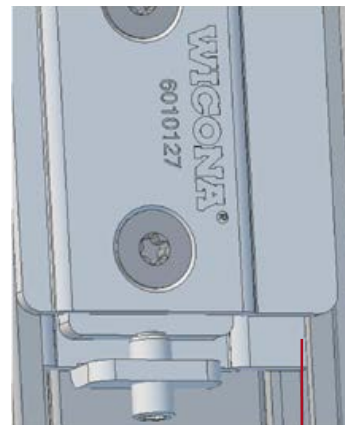
Support the door before making any adjustments

1



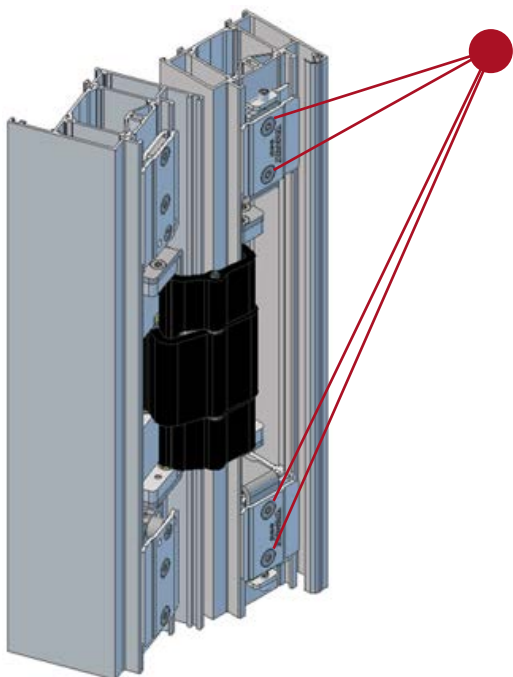
Loosen the screws for the top and bottom hinges

2



Turn screw with ball end on top and bottom hinge for adjustment, range +/- 3mm

3



Tighten screws on top and bottom hinges, torque 15Nm.

See page 2 for horizontal adjustment

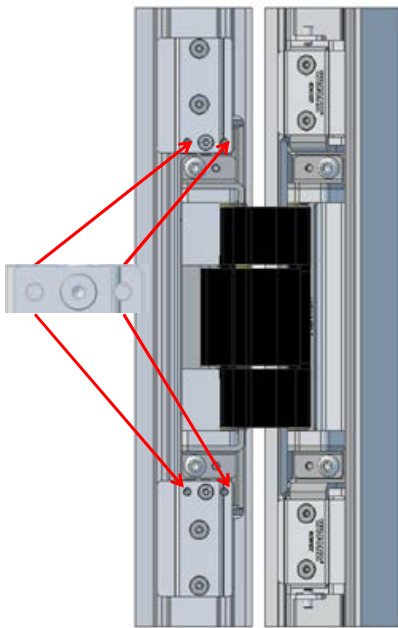


ES2460 Concealed Hinge Adjustment Instructions

Horizontal adjustment

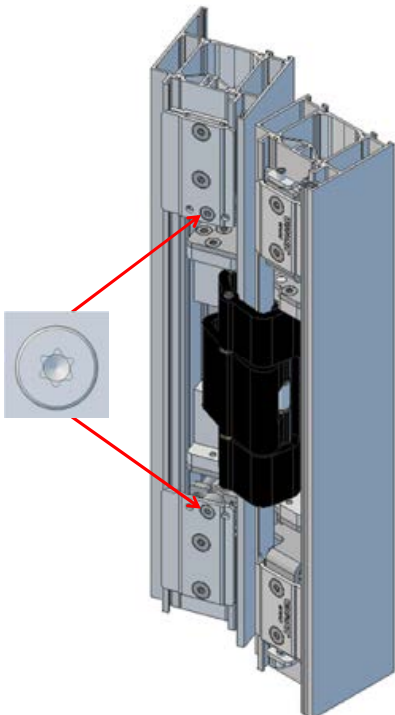
Support the door before making any adjustments

1



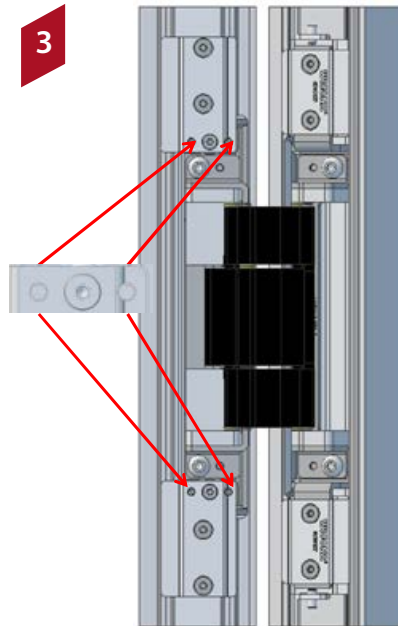
Loosen the screws for the top and bottom hinges

2



Turn screw to adjust, range +/- 5mm

3



Tighten the 4 screws

See page 3 for in and out adjustment



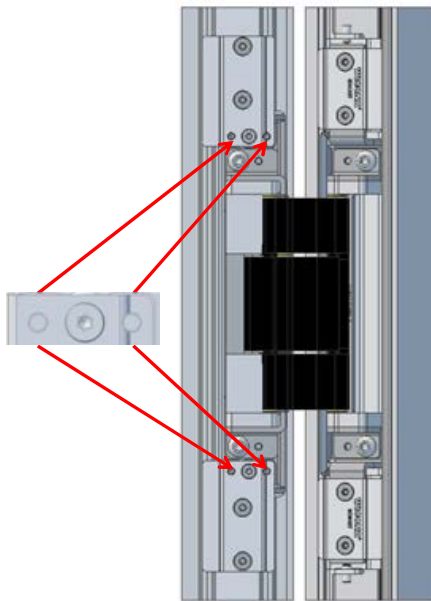
RKDOORSYSTEMS

ES2460 Concealed Hinge Adjustment Instructions

In and out adjustment

Support the door before making any adjustments

1



Screw or unscrew the 4 screws.
2 right and 2 left, adjustment range +/- 1mm.

Important

The gap must be as shown below

