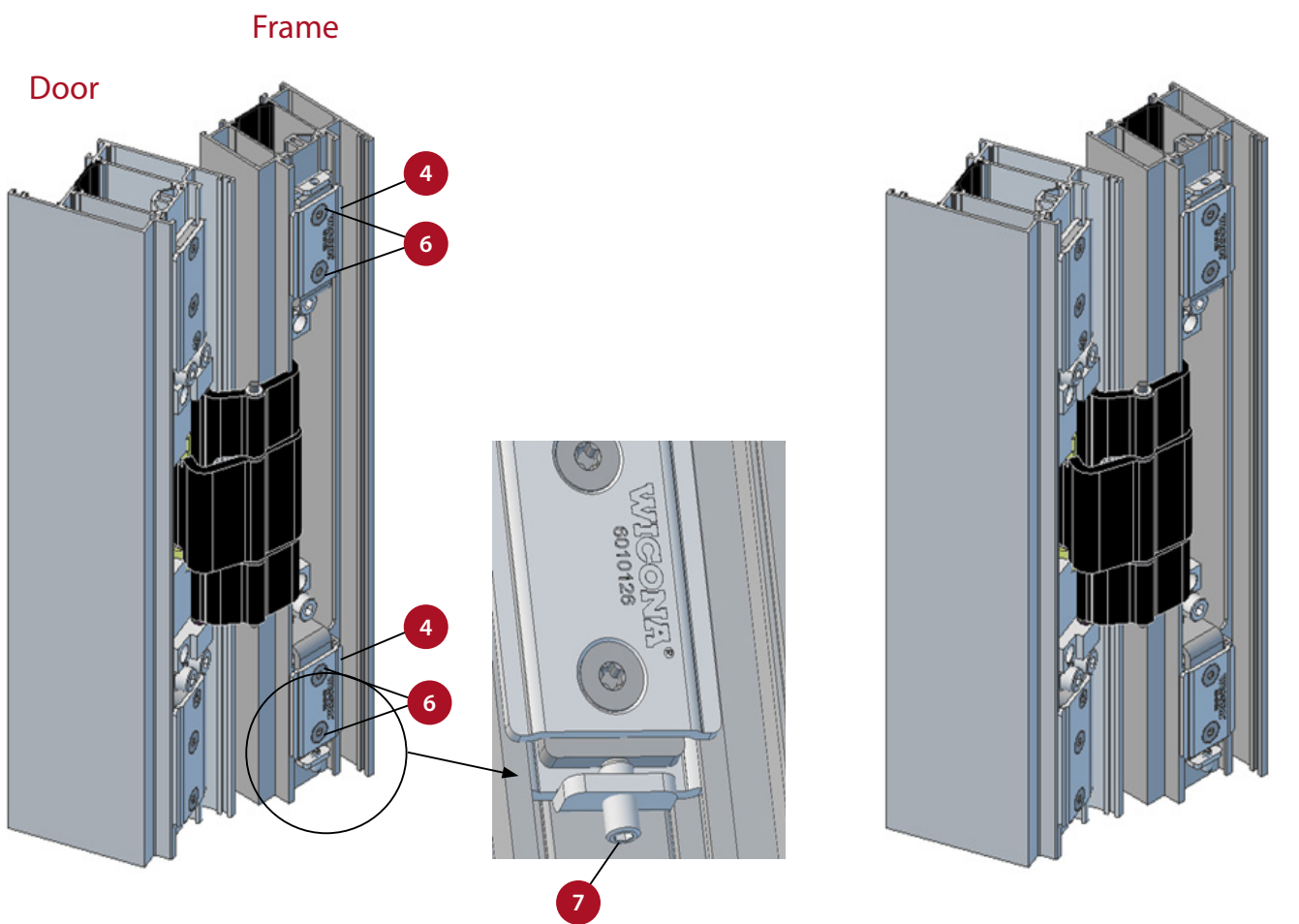




# Concealed Hinge Adjustment Instructions

## Adjusting the height

Support the door before making any adjustments



- 4 Fixing plate
- 6 Loosen the 4 countersunk screws M6 x10 T25, for the top and bottom hinges

Adjust the lower grub screw on top and bottom hinge for adjustment, range +/- 3mm

Tighten the 4 fixings screws 6 torque 15Nm.

See page 2 for horizontal adjustment



# Concealed Hinge Adjustment Instructions

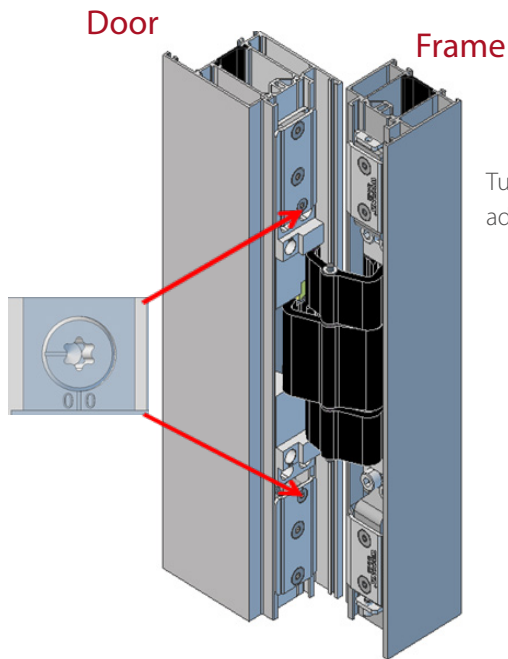
## Horizontal adjustment

Support the door before making any adjustments

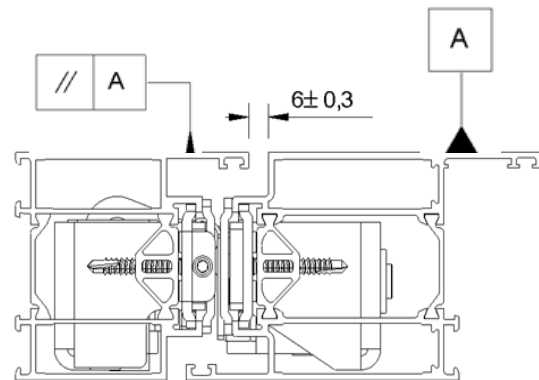


**IMPORTANT**

Ensure the gap width is even



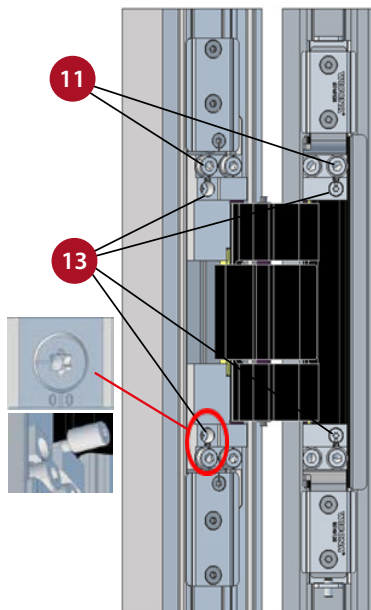
Turn the central screws (T25) to adjust horizontally, +/- 2mm



## Adjusting the pressure gasket

Support the door before making any adjustments

**Important**  
The gap must even and as shown



**IMPORTANT**

Ensure door and frame are flush

Loosen the screws **11** x8 cyl. head M8 x30 (door or frame).  
x4 adjustment +/- 1.5mm with excenter pin **13**  
After adjusting tighten screws (frame and door) with 15Nm.



RKDOORSYSTEMS

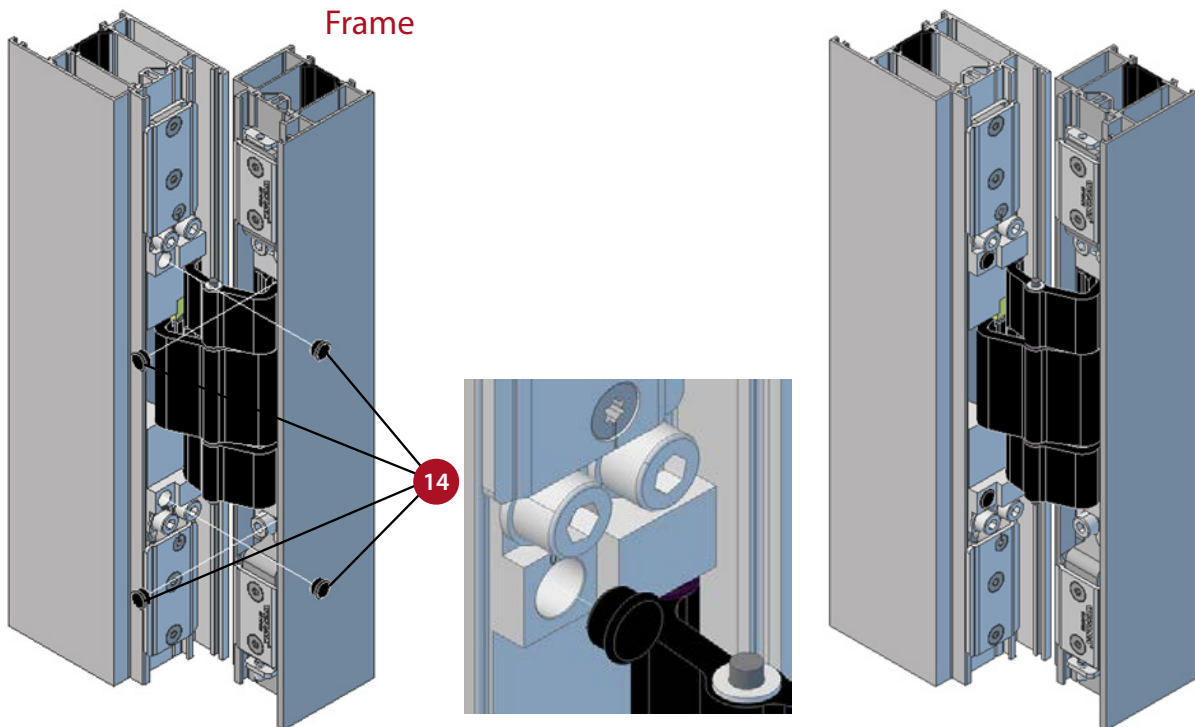
## Concealed Hinge Adjustment Instructions

### After adjustment

Support the door before making any adjustments

Door

Frame



14 Fit cover caps to secure (x4)