



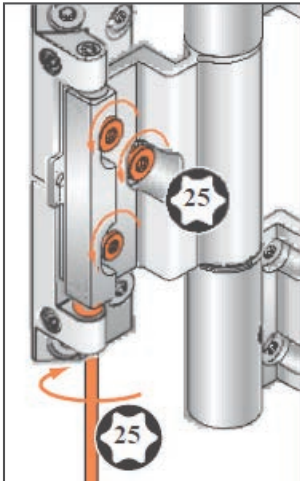
## Exclusive Profile Hinge Adjustment Instructions

### Adjusting the height

Support the door before making any adjustments

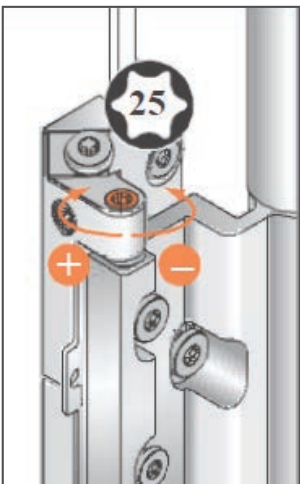


1



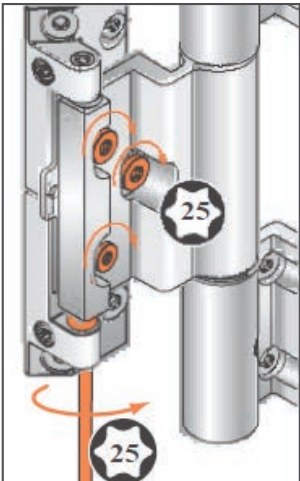
Loosen the adjustment screws on the door hinge blades on all hinges, loosen bottom set screws (approx. 3 turns)

2



Adjust the height  $\pm 3$  mm by using the upper set screw. Important: The lower hinge supports the door.

3



Tighten adjustment screws on the door hinge blades and bring the set screw into position.

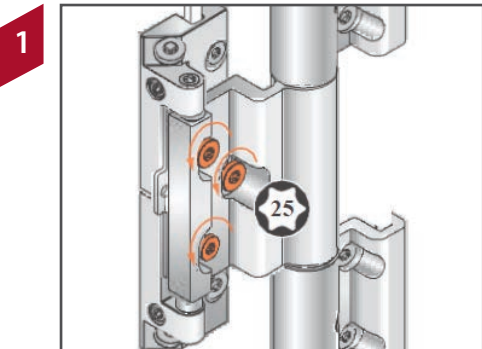
See page 2 for horizontal adjustment



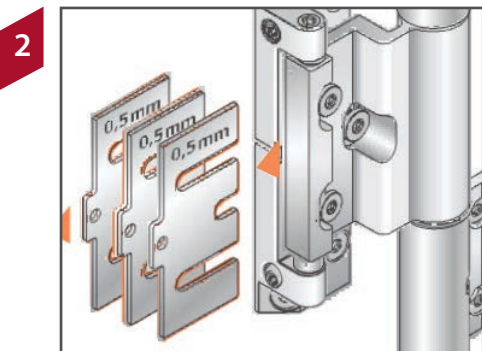
# Exclusive Profile Hinge Adjustment Instructions

## Horizontal adjustment

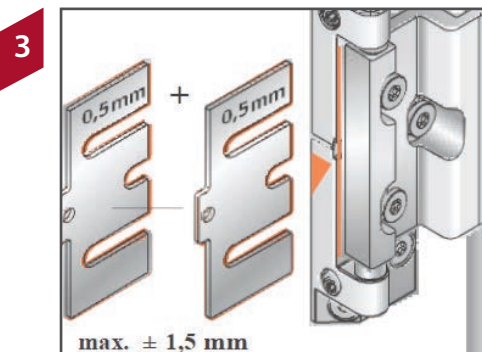
Support the door before making any adjustments



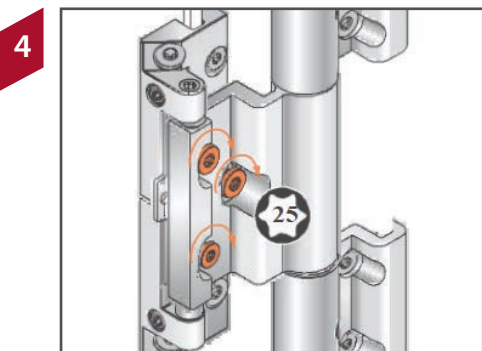
Loosen adjustment screws.



Remove spacer plates (3 x 0.5 mm).



Combine the required number of spacer plates (each 0.5 mm)  
Adjustment of  $\pm 1.5$  mm possible in 0.5 mm increments.



Tighten adjustment screws (4 – 6 Nm).