

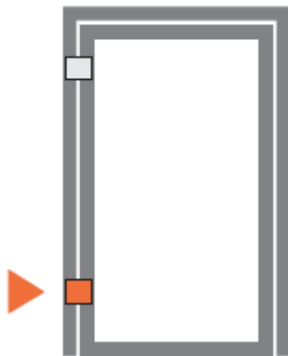


RKDOORSYSTEMS

Standard & Modern Profile Hinge Adjustment Instructions

Adjusting the height

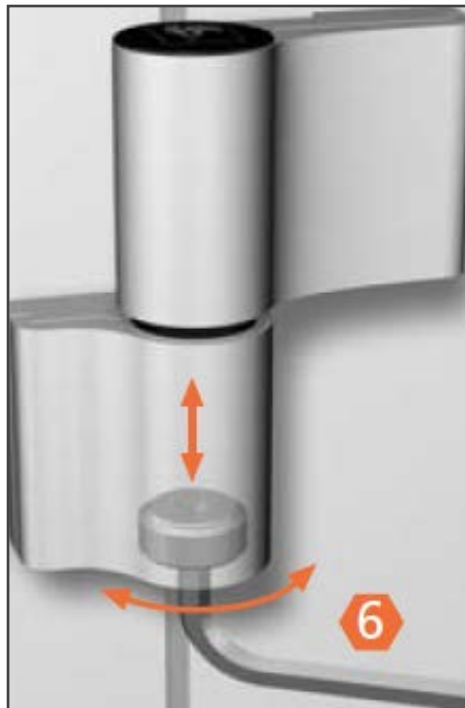
Support the door before making any adjustments



Carry out height adjustment only on bottom hinge.
Re-adjust only upper hinges.



1 Remove bottom cap



2 Height adjustment + 3 / - 2 mm.



3 Replace cap



Standard & Modern Profile Hinge Adjustment Instructions

Horizontal adjustment

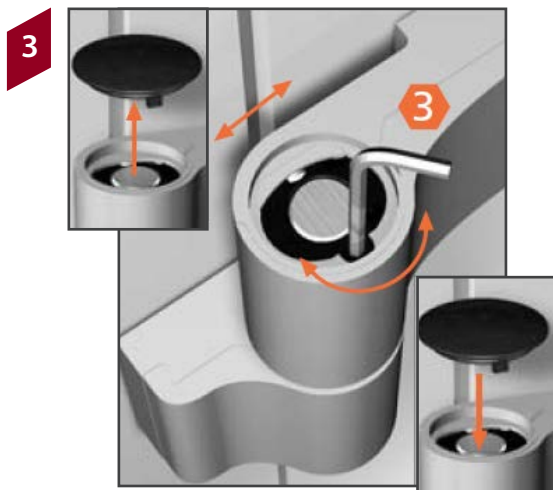
Support the door before making any adjustments



Covering cap must be secured from the rear side.



Loosen set screws by half a turn.



Remove cap. Adjust horizontally by turning the spindle on the upper hinge section (± 2.5 mm).
Replace cap.



Important: Tighten the set screws **alternately**.



Standard & Modern Profile Hinge Adjustment Instructions

Adjustment the sealing pressure

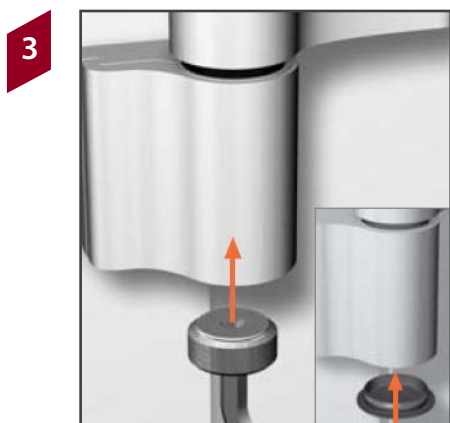
Support the door before making any adjustments



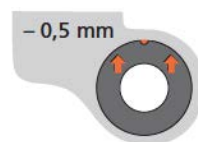
Remove bottom cap.
Only screw-out lifting and lowering spindle on the hinge needing adjusting. Proceed in this manner, hinge by hinge.



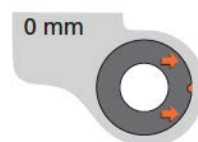
Turn the bearing bushing $\pm 90^\circ$ until you feel it catch (sealing pressure $\pm 0,5$ mm)



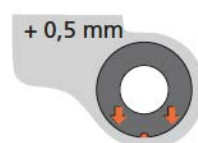
Screw lifting and lowering spindle back in. Snap on cap.



After adjustment, the mark of the collar points to the back.



Zero position



After adjustment, the mark of the collar points to the front.



Bearing bushes are made of maintenance free PVC containing Teflon – **do not lubricate!**