



RKDOORSYSTEMS

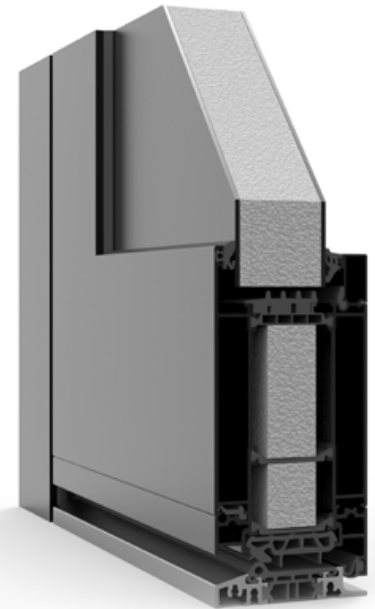
Let's make an entrance

Standard door profile

The Standard profile offers a 44mm deep insulated panel construction set in an 85mm wide surround with either a flush or classic design frame. This combination door system offers a modern classic look with high performance door to allow the creation of designs to suit both contemporary and traditional situations.

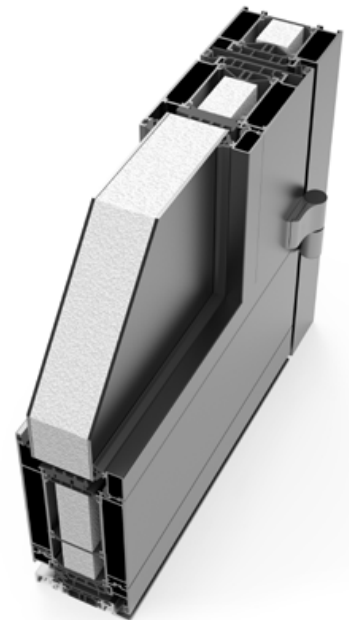
Performance ratings

- Water tightness: **Class 6A**
- Wind load resistance: **Class C2**
- Air permeability: **Class 4**
- Thermal transmittance: **0.95W/m² K**
- Sound insulation: **42dB**
- Security Certification: **Secure by Design / PAS 24 / RC2 / RC3**



Features & benefits

- ✓ German 75mm deep insulated frame with mechanical & glued corners for high performance construction and life expectancy
- ✓ Marine grade powder coat finish as standard suitable for all locations
- ✓ 44mm laminated triple glazing as standard for maximum security
- ✓ Extensive choice of external and internal colours giving maximum design choice
- ✓ Triple gasket sealing system for high weather performance
- ✓ Hidden fixing system with cover trims to frame & door sash for minimal maintenance and clean look appearance
- ✓ 316 Grade Stainless steel handles & fittings suitable for all locations
- ✓ Available with 180 deg concealed hinges for minimal flush look internally and maximum opening
- ✓ Sidelights and fanlights in single frame construction offering minimal frame design
- ✓ Optional custom design or glass etching for individual design
- ✓ Available with motorised locking for use with finger scan locking systems and home smart properties
- ✓ Secure By Design and PAS 24 Certified for full new build compliance
- ✓ Optional 25mm high projecting cills for ease of installation



Secured by Design



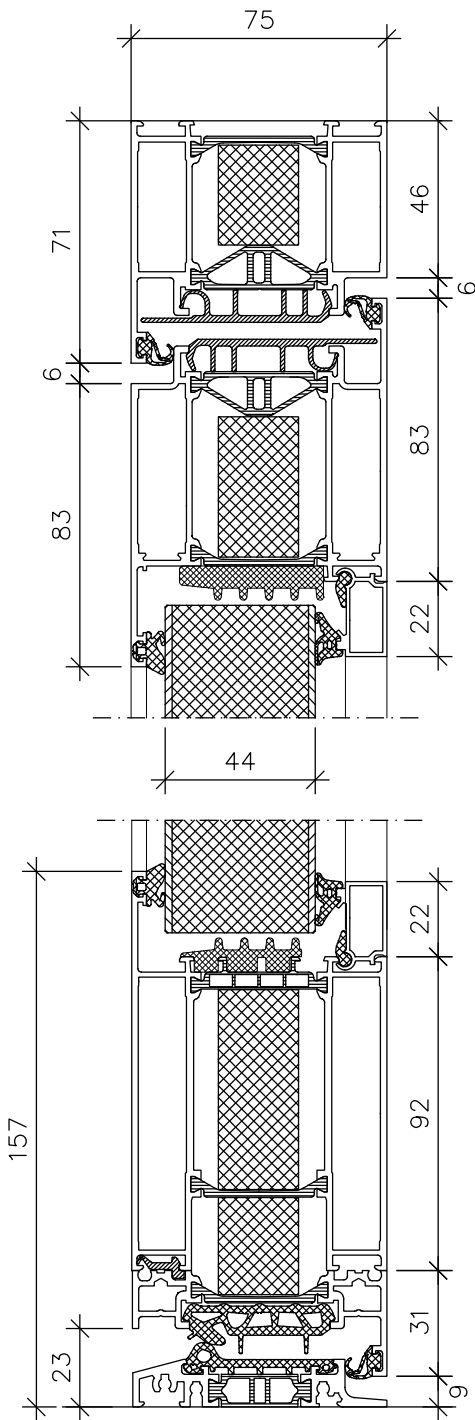
Official Police Security Initiative

Call **01872 222300**

Email **info@rkdoorsystems.co.uk**

Design your door at **www.rkdoorsystems.co.uk**

Specification



Dimensions	Frame depth	75mm
	Door sash depth	83mm edge with 44mm centre panel
	Visible frame (single door)	71mm
	Visible frame (with sidelight or fanlight)	65mm
	Glass thickness	44mm triple security glass
	Max single opening door width	1300mm (incl frame)
	Max single opening door height	3000mm (incl frame)
	Max sidelight width	2000mm
	Max fanlight height	2500mm
Frame & Design Options	Flush square	✓
	85/95mm Classic frame	✓
	Glass Sidelights	✓
	Glass Fanlights	✓
	Opening Sidelights	✓
	Pair of doors	✓
	Outward opening	✓
	Custom Designs	✓
	Pivot opening	✓
Colour & Finish Options	Frame extensions	✓
	16 Standard RAL colours	✓
	Non standard RAL colour	✓
	Timber finishes	✓
	Metallic Colours	✓
	Dual finish	✓
Matt or Finestructure finish	✓	

