



RKDOORSYSTEMS

Let's make an entrance

Pivot door profile

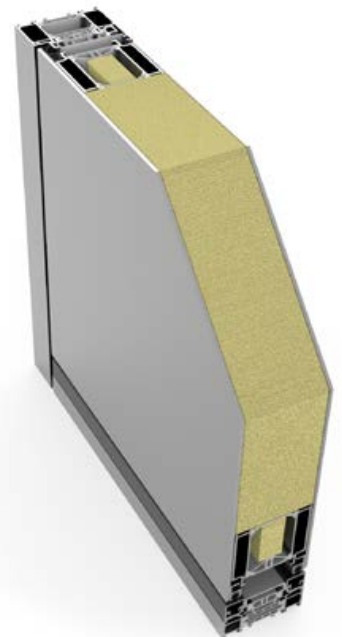
The Pivot profile offers the ultimate in entrance opening and combines a 75mm deep insulated panel construction with the prestigious pivot opening style. The door panel is flush both internally and externally and together with oversized door openings, can be combined with sidelights and fanlights to create a truly stunning entrance. This unique German door system is designed from the same profile as our Exclusive doors and offers a contemporary door system that can be designed for any modern residential and non-fire rated commercial applications.

Performance ratings

- Water tightness: **Class 5A**
- Wind load resistance: **Class C2**
- Air permeability: **Class 3**
- Thermal transmittance: **0.72W/m² K**
- Sound insulation: **42dB**
- Security Certification: **Secure by Design and PAS24:2022**

Features & benefits

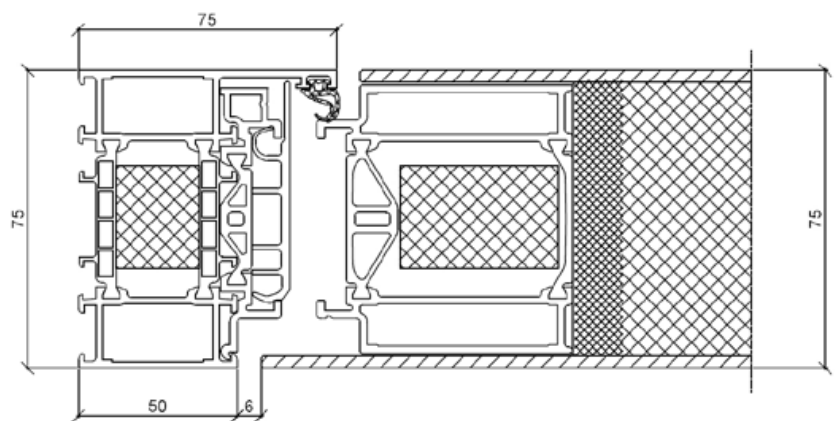
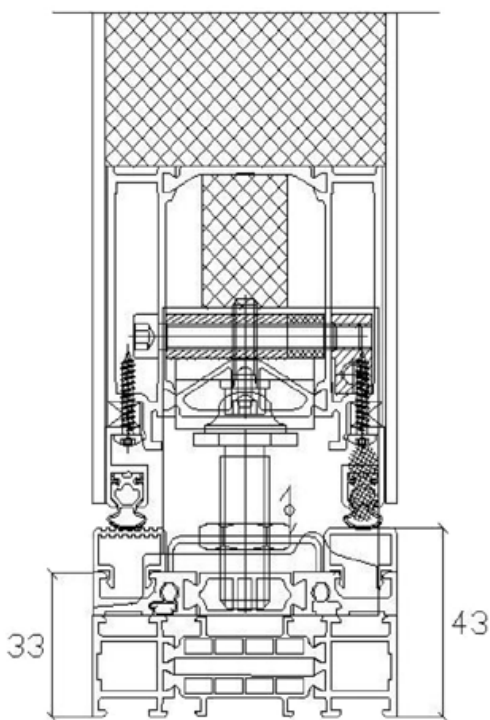
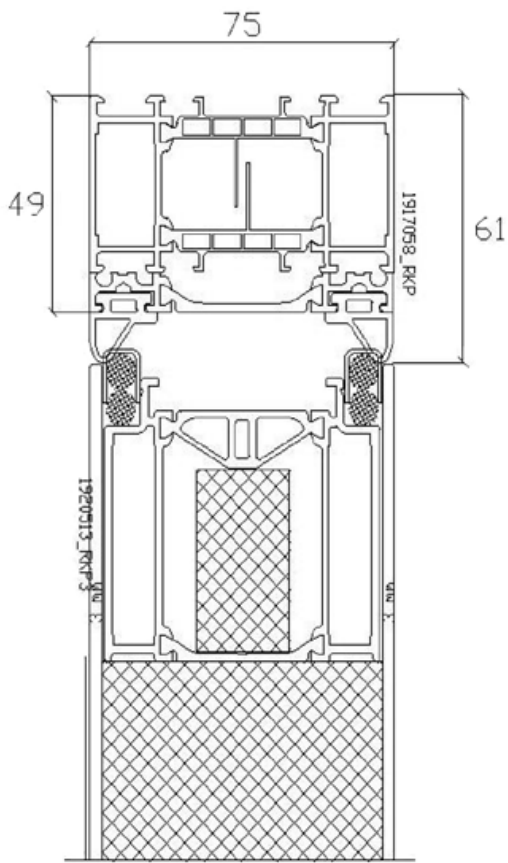
- ✓ German 75mm deep insulated frame with mechanical & glued corners for high performance construction and life expectancy
- ✓ Marine grade powder coat finish as standard suitable for all locations
- ✓ 75mm laminated triple glazing as standard for maximum security
- ✓ Extensive choice of external and internal colours giving maximum design choice
- ✓ Low level threshold as standard for disability access compliance
- ✓ Double gasket sealing system for high weather performance
- ✓ Moveable pivot point to allow maximum clear door opening
- ✓ 316 Grade Stainless steel handles & fittings suitable for all locations
- ✓ Hidden fixing system with cover trims to frame & door sash for minimal maintenance and clean look appearance
- ✓ Sidelights and fanlights in single frame construction offering minimal frame design
- ✓ Optional custom design or glass etching for individual design
- ✓ Available with motorised locking for use with finger scan locking systems and home smart properties
- ✓ Secure By Design and PAS 24 Certified for full new build compliance
- ✓ Optional 25mm high projecting cills for ease of installation
- ✓ Minimum 1100mm wide for use in replacement situations



Call **01872 222300**

Email **info@rkdoorsystems.co.uk**

Design your door at **www.rkdoorsystems.co.uk**



Specification

Dimensions	Frame depth	75mm
	Door sash depth	75mm fully insulated
	Visible frame (single door)	75/50mm
	Visible frame (with sidelight or fanlight)	75mm
	Glass thickness	69mm triple security glass
	Max single opening door width	2000mm
	Max single opening door height	4000mm
	Max fanlight height	2000mm
Frame & Design Options	Flush square	✓
	Glass Sidelights	✓
	Glass Fanlights	✓
	Opening Sidelights	✓
	Pair of doors	✓
	Outward opening	✓
	Custom Designs	✓
	Frame extensions	✓
Colour & Finish Options	16 Standard RAL colours	✓
	Non standard RAL colour	✓
	Timber finishes	✓
	Metallic Colours	✓
	Dual finish	✓
	Matt or Finestructure finish	✓
	Elite special ceramic finishes	✓
	Elite special metal finishes	✓